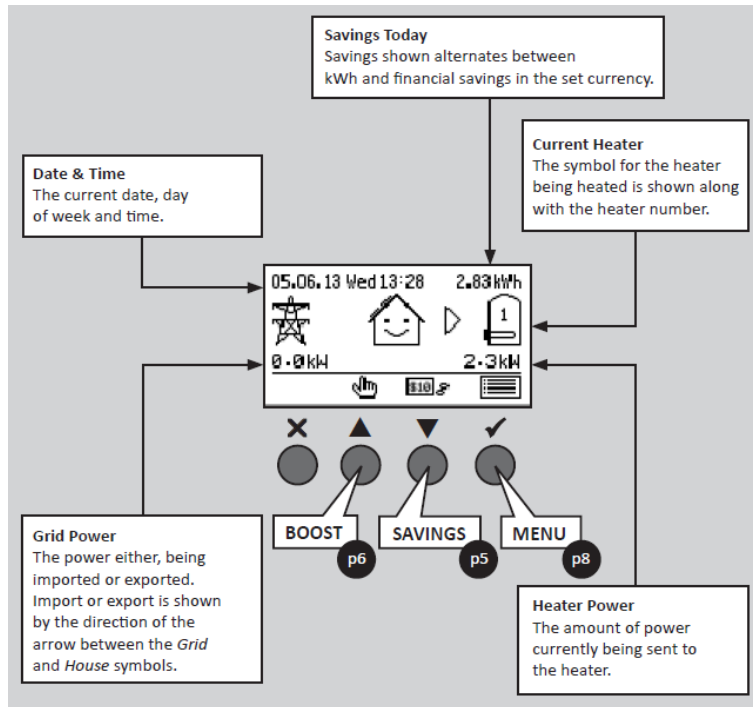


Immersun Hot Water Controller - Quick Guide

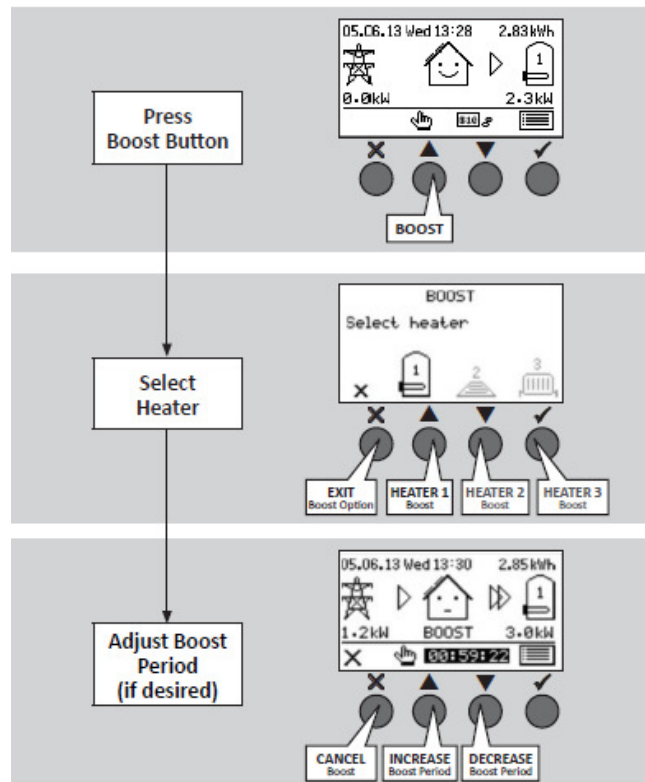
The Immersun is a self-consumption controller, this only allows excess generation to your cylinder. During periods of high hot water use or low solar gain you will need to boost your heating element.

The less boost, the more savings on your power bill!



Manual Boost

The cylinder can be boost heated manually. This boost draws electricity from the grid for quick boost but does not offer solar savings. Once the boost is started the remaining boost time will be displayed. This can be adjusted up, down or cancelled at any time.



Boost – Pre-set timed boost

A full description of setting times boost is detailed in the user manual on page 7